



MA SARADA

ELEVATORS AND SERVICES



MA
SARADA
ELEVATORS AND SERVICES

ABOUT US

"MA SARADA ELEVATORS" is one of the most prominent and trusted name as a complete Elevator Solution since 2022.

"MA SARADA ELEVATORS" is a leading company for New Installation, Service & Modernization in Kolkata. MA SARADA ELEVATORS has always put its best effort to make elevators safe and hassle free. When you think about MA SARADA ELEVATORS, you think of quality, our promise and commitment. We provide end-to-end elevator solution to our client from Design, Manufacture & Installation to maintenance and modernization. To each of our valued client, MA SARADA is a trusted partner, throughout the life cycle. We came first when people about elevators in Kolkata. Our elevator come with a wide range of doors and interior options, both in contemporary and classic style. At the heart of every MA SARADA ELEVATORS, is our fabled cutting edge engineering our unwavering commitment to safety and security. When you will chose MA SARADA ELEVATORS you will find inner peace from your mind and heart because our work will satisfy you every time. That is our promise.



- ▶ NEW INSTALLATION/ ERECTION
- ▶ MAINTENANCE/REPAIR SERVICE
- ▶ MODERNIZATION/RENOVATION

OUR SERVICES

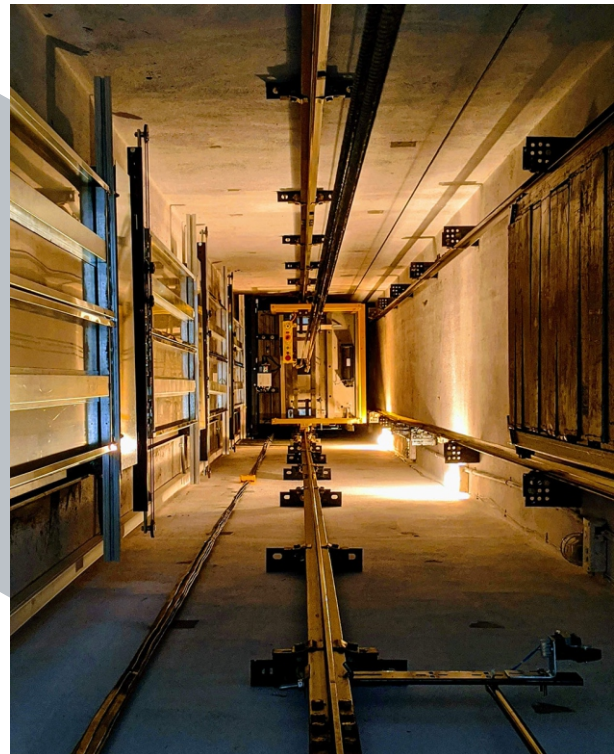
NEW INSTALLATION / ERECTION

We are ready for Installation of new Elevator at your Project. We supply best quality material for Erection & our qualified Engineer are always guide to make the elevator smooth, safe and comfortable riding. We are always follows safety rules and regulations.



MODERNIZATION / RENOVATION

We have also done the Modernization job are affordable price. We are making your old elevator to new modern elevator with new feature. i.e. Relay Logic to Microprocessor Controller, Single speed to Variable speed, 7 segment to LCD Display, Wooden cabin to M.S./S.S. cabin, Round cable to Lift duty flat cable, ARD system, Overload system safety arrangement, Non-stop function clock with temperature system and many more feature available with our company. So, without any hesitation change your elevator with Modern facilities. We are standing in front of your door. Just move with us to adapt the new feature



MAINTENANCE / REPAIR SERVICE

We are maintenance various types of Elevators.

Range of Doors

Collapsible Doors
M. S. Telescopic Door
S. S. Auto Door

Type of Machines

Bottom Traction
Machine Roomless (MRL)
Gearless Machine.

Types of Elevators

Home & Bungalows Elevator
Passenger Elevator
Hospital Elevator

Passenger Elevator (Manual Doors)

The passenger elevators detailed here are designed to handle promptly and efficiently the transportation requirements of any type of building which means any traffic condition.

They are renowned for fine quality and robust performance.

Delivers maximum lifting power with a minimum of effort.

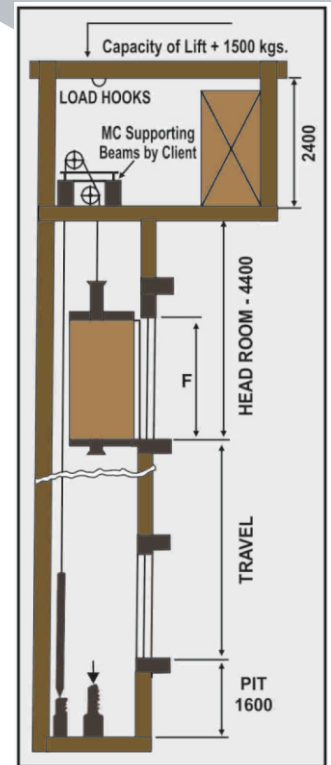
It gives benefits of jerk less travelling, economically low power consumption and excellent design.

Features: 100% safety, easy to use and maintain.

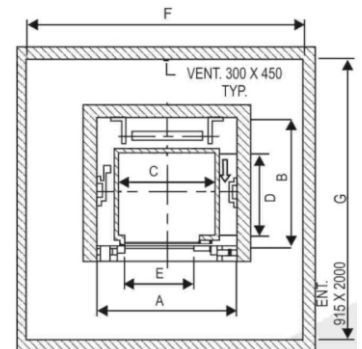
- All Dimensions are on mm size.
- This is General Data. It may be changed without notice.
- All hoist way walls should be minimum 230mm brick or 150mm R.C.C.

DIMENSION DETAILS: PASSENGER LIFT with MANUALLY OPERATED DOORS

Load		Lift Well		Car Inside		Entrance	Machine Room		
Person	Weight	Width	Depth	Width	Depth		Width	Depth	Height
In Kg.	Weight	A	B	C	D	E	F	G	H
4	272	1600	1200	1100	700	700	3000	3000	2500
5	340	1600	1300	1100	850	750	3000	3200	2500
6	408	1670	1370	1100	1000	750	3000	3500	2500
8	544	1800	1600	1300	1100	750	3200	3500	2500
10	680	1850	1800	1350	1300	1000	3500	4000	2500
13	884	2500	1600	2000	1100	1000	4000	4200	2500
16	1088	2500	1800	2000	1300	1000	4500	4800	2500
20	1360	2500	2050	2000	1550	1000	5000	5000	2500

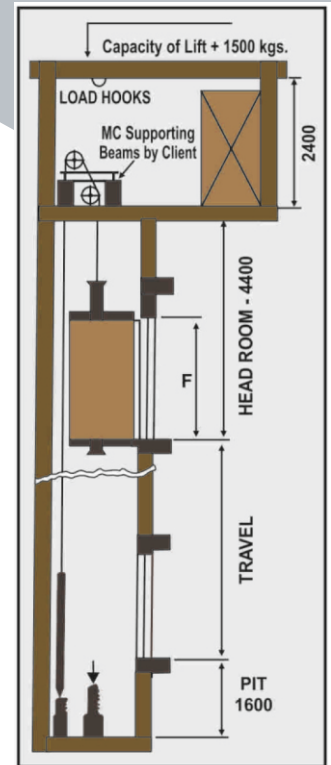


HOISTWAY MACHINE ROOM PLAN FOR MANUAL DOOR



Passenger Elevator (Auto Doors)

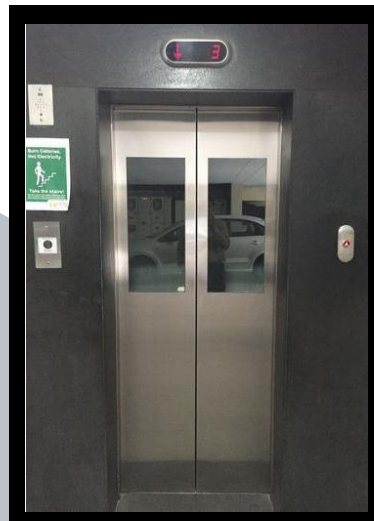
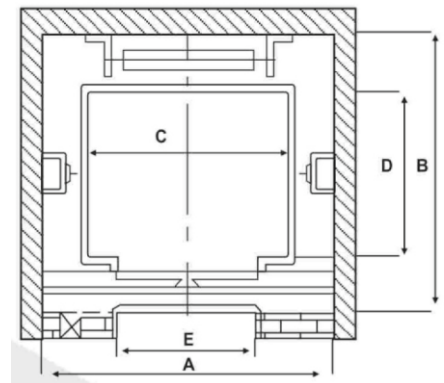
- ▶ MA SARADA Elevators has been engineered with full automatic door.
- ▶ Fabricated with most advanced lift controls, appreciated for their high speed, smooth travel and perfect leveling different types of doors centre opening. Telescopic Opening.
- ▶ Our proficiency allow us to design and develop passenger Elevator of various sizes and capabilities.
- ▶ In high density requirements, we can provide grouping of multiple elevators of various sizes and capabilities.
- ▶ It gives benefits of jerkless travelling, economically low power consumption and excellent design.



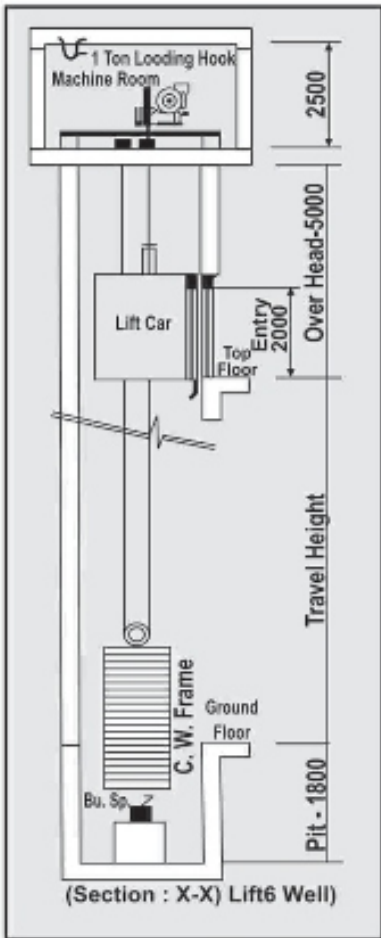
- All Dimensions are on mm size.
- This is General Data. It may be changed without notice.
- All hoist way walls should be minimum 230mm brick or 150mm R.C.C.

DIMENSION DETAILS: PASSENGER LIFT with AUTO DOORS

Load		Lift Well		Car Inside		Entrance	Machine Room			UP TO 1.5 M/Sec.		UP TO 1.5 M/Sec.	
Person	Weight	Width	Depth	Width	Depth		Width	Depth	Height	Pit	O.H.	Pit	O.H.
In Kg.	Weight	A	B	C	D	E	F	G	H		M	K	M
6	408	1900	1650	1100	1000	800	3000	3500	2500	1600	4800	2600	6700
8	544	1800	1600	1300	1100	750	3200	3500	2500	1600	4800	2600	6700
10	680	1850	1800	1350	1300	1000	3500	4000	2500	1600	4800	2600	6700
13	884	2500	1600	2000	1100	1000	4000	4200	2500	1600	4800	2600	6700
16	1088	2500	1800	2000	1300	1000	4500	4800	2500	1600	4800	2600	6700
20	1360	2500	2050	2000	1550	1000	5000	5000	2500	1600	4800	2600	6700



Hospital Elevator



Ma Sarada Elevator provides all solutions for hospital elevator and renowned for fine quality and robust performance.

A wide range of Car dimensions is available for the varying requirements of a modern hospital.

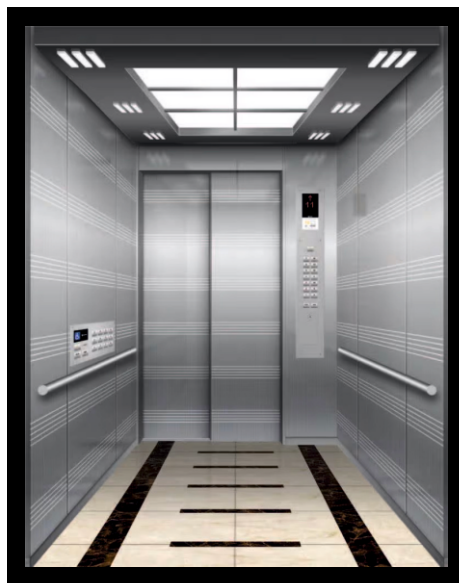
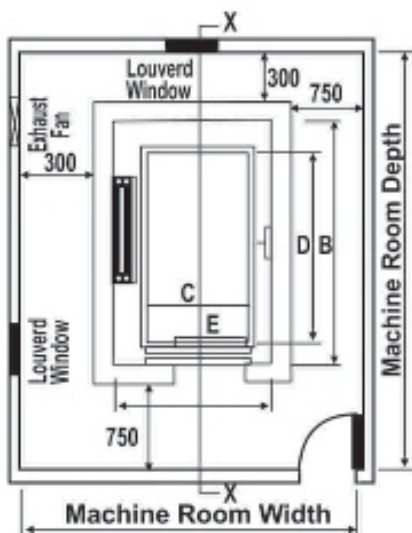
The entire system is Safe and reliable operating Steadily.

Features: Accurate Open and Shut Control Stable and Smooth.

It gives benefits of jerkless travelling, economically low power consumption and excellent design.

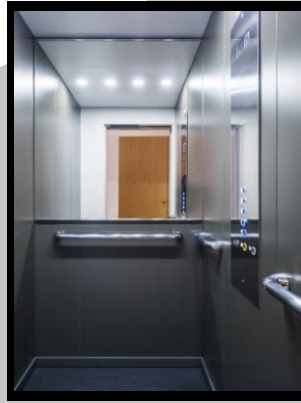
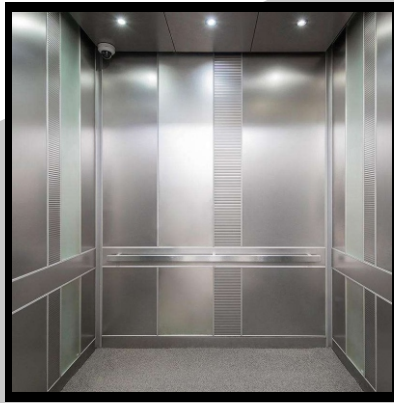
Load		Lift Well		Car Inside		Entrance	Machine Room		
Person	Weight	Width	Depth	Width	Depth		Width	Depth	Height
In Kg.	Weight	A	B	C	D	E	F	G	H
4	272	1600	1200	1100	700	700	3000	3000	2500
5	340	1600	1300	1100	850	750	3000	3200	2500
6	408	1670	1370	1100	1000	750	3000	3500	2500
8	544	1800	1600	1300	1100	750	3200	3500	2500
10	680	1850	1800	1350	1300	1000	3500	4000	2500
13	884	2500	1600	2000	1100	1000	4000	4200	2500
16	1088	2500	1800	2000	1300	1000	4500	4800	2500
20	1360	2500	2050	2000	1550	1000	5000	5000	2500

- All Dimensions are on mm size.
- This is General Data. It may be changed without notice.
- All hoist way walls should be minimum 230mm brick or 150mm R.C.C.

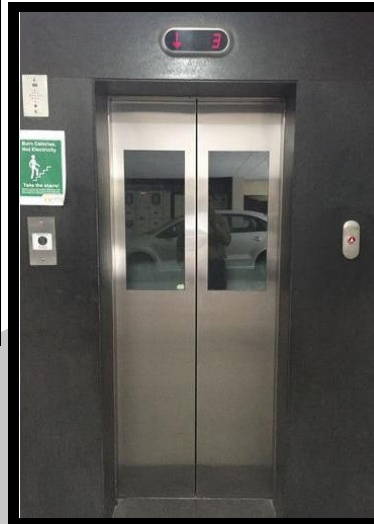


Different type of Cages

- Simple and robust construction with telemechanic contractors.
- State-of-art design with Low voltage and High voltage separation in PCB layout.
- 16 digit alphanumeric password for above counter.
- Car gate and landing gate voltage 110v



Different type of Doors



Electrical Component



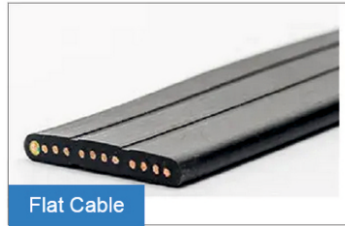
COP & LOP for Elevators



Controller & Drivers for Elevators



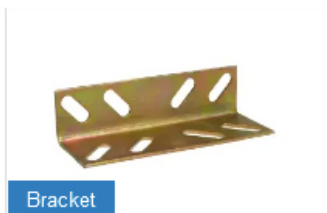
Shaft Component



Machine




Mechanical & Safety Component



Hydraulic Systems for Elevators





An Elevator is a life time investment. It is a highly technical product incorporating sophisticated electronic circuitry. The job of installing an elevator is a specialized work which performed by The trained and skilled MA SARADA Engineers.



A Group of qualified engineers and experienced technicians joined hands to form the company **MA SARADA** Elevators in the heart of Kolkata, West Bengal with the main objective of proving peace of mind to our valued customers who are using Lifts/Elevators.

We supply best quality material for Erection & our qualified Engineers are always guide to make the elevator smooth, safe and comfortable riding.

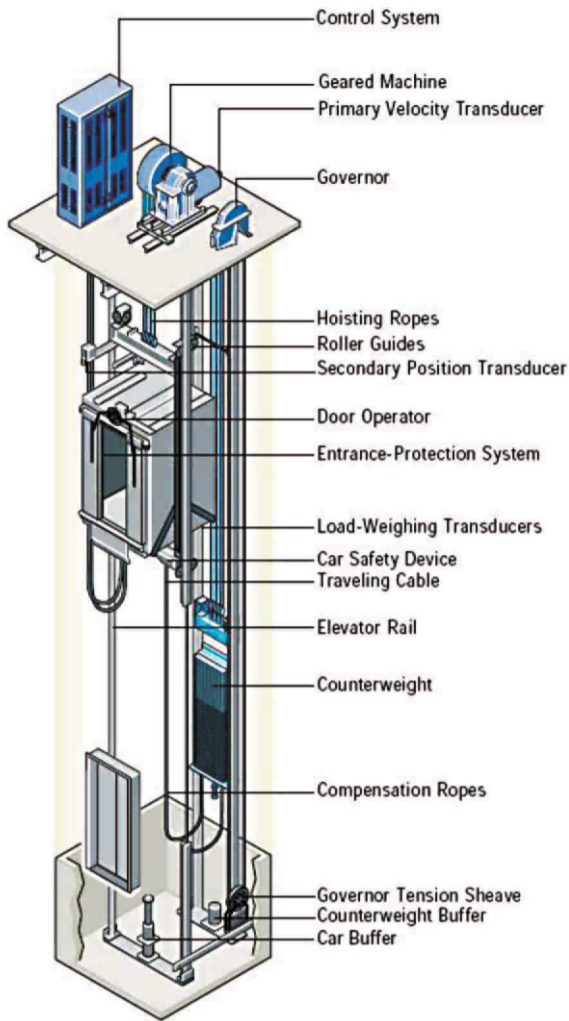
Quality Checking Process:

- After completion the technician work quality team check and verify the lift efficiency.
- Govt. certification by government appointed supervisor.
- Re-examination by the **MA SARADA** Elevators engineers before handover Certificate.
- 7 days trial before collecting the full and final payment.
- Installed and handed over in time without any defect.
- 1 year complimentary Maintenance service.

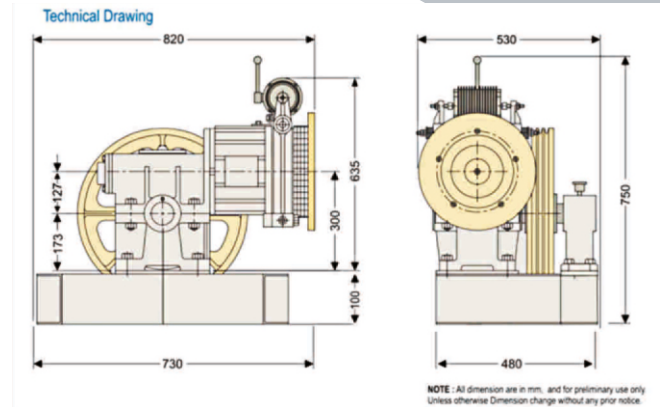
For Mutual Benefits:

The customer plays an important role in enhancing our technician's efficiency. By strictly adhering to the following set of guidelines, the customer will not only provide a safe working environment for our technicians but will also protect the elevator from possible damage at site. This in turn will result in controlling cost and also saving valuable time thus mutually benefiting both the Customer and **MA SARADA** Elevators.

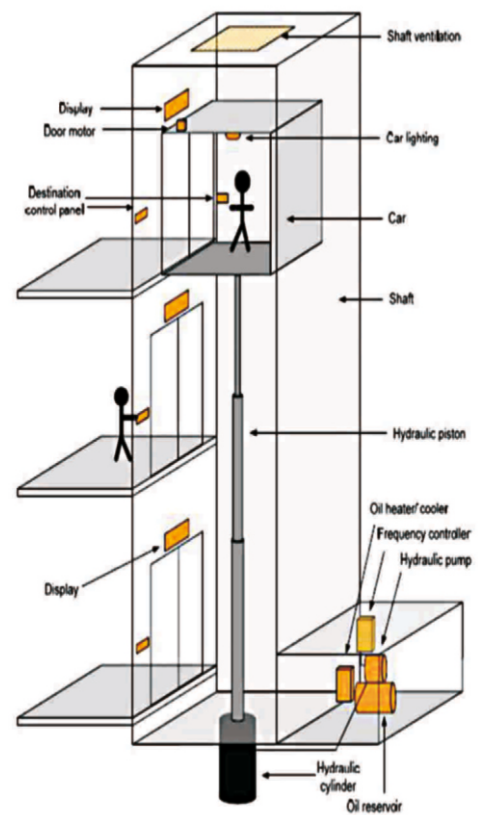
Traction Elevators



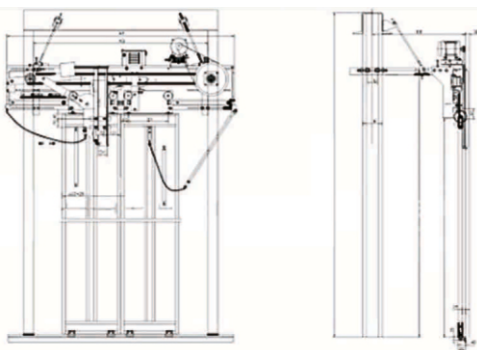
Traction Machine

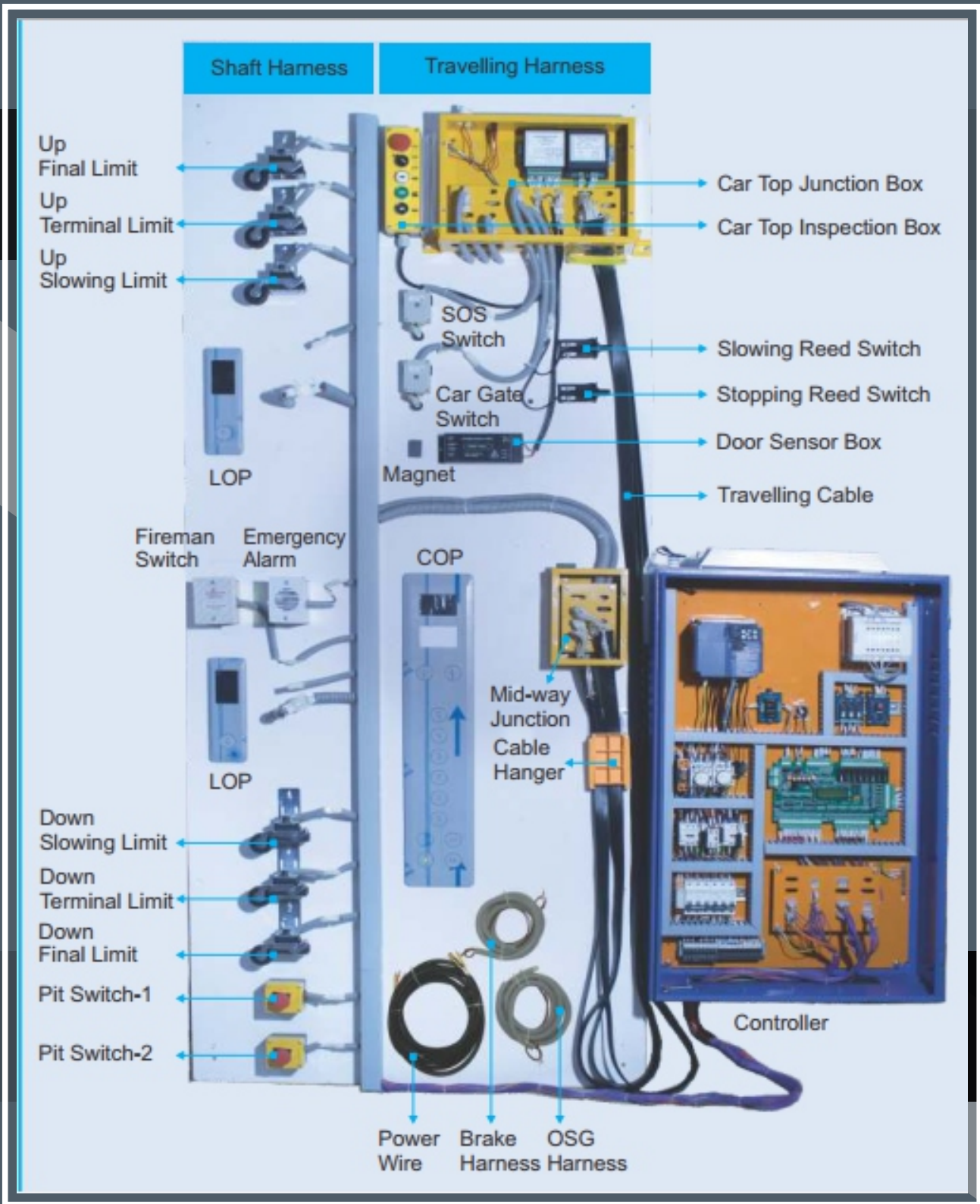


Hydraulic Elevators



Centre Opening Door





Branch Office :
91A/99 B. L. Saha Road, Amartya Park,
Sirity, Kolkata - 700 053

Regd. Office :
54 B. L. Saha Road, Kolkata - 700 053

+91 89103 97260 | +91 94336 63055

E-mail : masaradaelevators@gmail.com

Website: www.masaradaelevators.in

Follow us on : 